



E-09

最大载重/MAX weight 40kg

深的孔面向螺丝，拧紧后螺丝头低于塑料平面
The deep hole faces the screw, and the screw head is lower than the plastic after assembling.

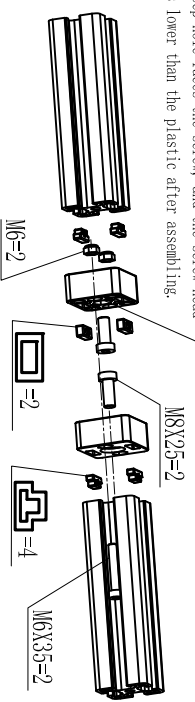


图 1 / FIG 1

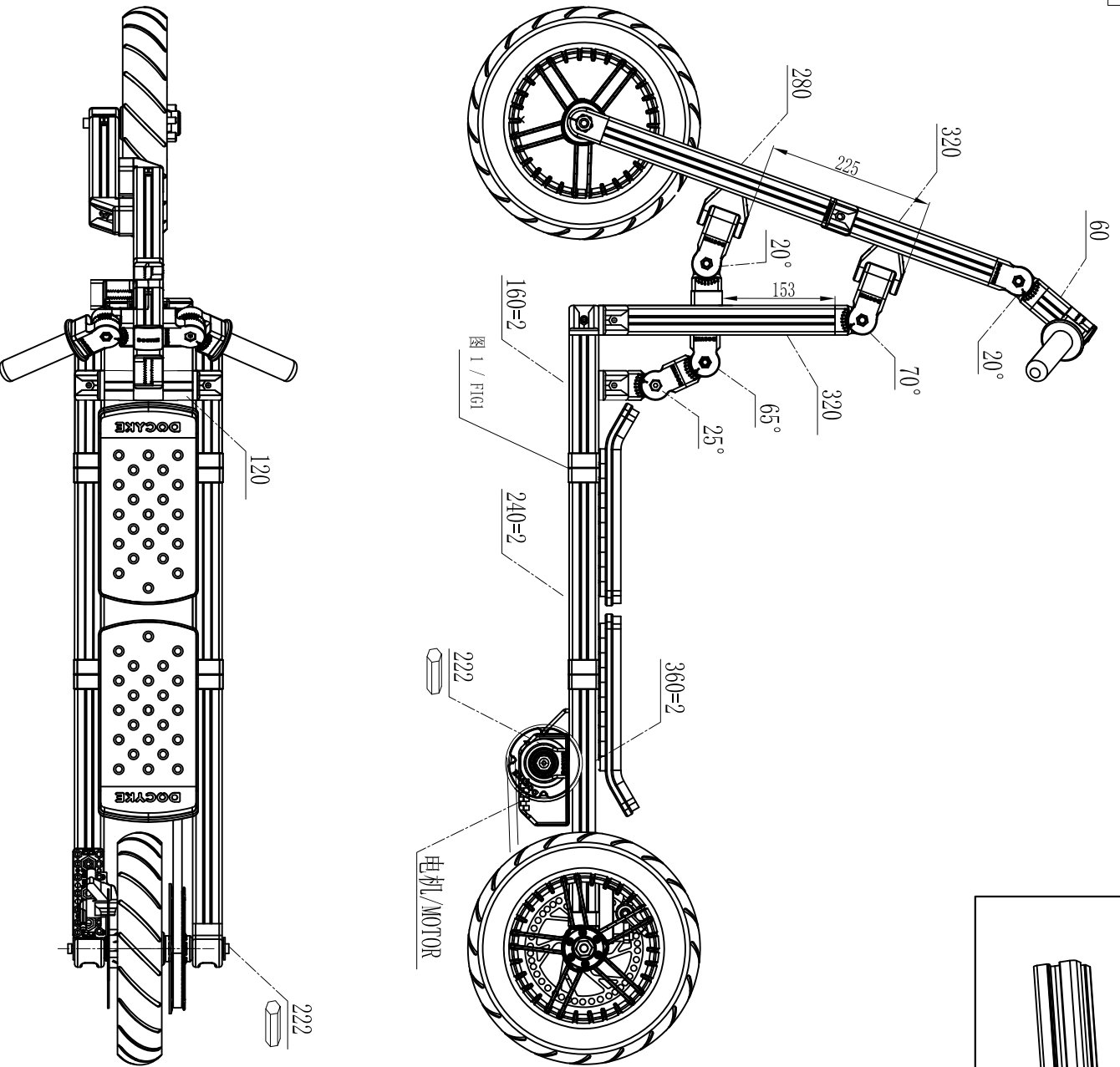


图 1 / FIG1